

Facility Registration-Online IESO

Introduction and Phase 2 Market Trial
Demonstration

November 2, 2015 - Revised

Agenda

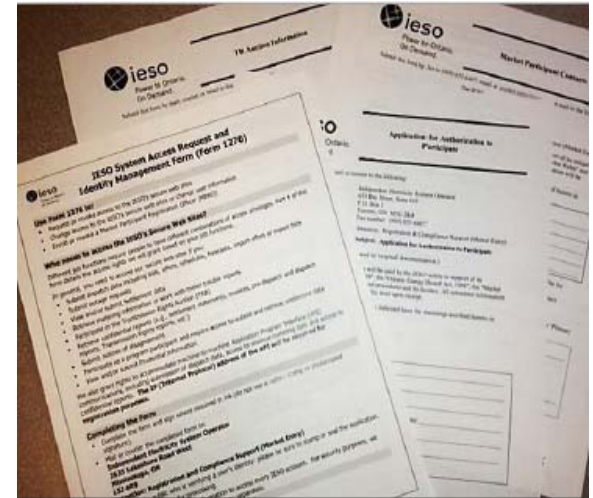
- Introduction and Background
- Overview of Facility Registration
- Online IESO
- Demonstration
- Market Trials
- What you need to know for Go-live

Background

- As part of the Online Registration Project the IESO has begun development work on a new application to Register Facilities and Equipment through Online IESO.
- Facility Registration requirements are not changing.
- You will no longer submit paper forms to the IESO. All requests will be submitted through Online IESO.
- All information submitted through a request will go directly to the IESO master database once approved by the IESO.
- Facility Registration staff will continue to work with participants through the registration process.

Project Objectives

- Replace paper forms with online applications
- Provide you with a more streamlined experience
- Process requests faster
- Increase data accuracy and consistency
- Allow you to access your data



Facility Registration using Online IESO

- **Action - Manage Facilities and Equipment Data**
 - Register a new facility, its associated equipment and resources
 - Add or remove equipment and resources -existing facility
 - Update Equipment and resource Information
- **Action - Manage Facility Resources**
 - Manage Energy Resources
 - Modify User-Resource Relationships
 - Manage Transmission Resources
 - Register Compliance Aggregation Model
 - Register PCG participation, Pseudo-Unit Resources

Facility Registration using Online IESO cont'd

- **Records - Facility and Equipment Data**
 - View registered facility, equipment and resource data
 - View in-flight request data
- **Request Tracking**
 - Monitor the status of your request



Equipment Registration Specialist

- A new contact role will be responsible for initiating and completing facility registration requests.
- This contact role will be available to all organizations authorized with the following participations:
 - Generator-Owner
 - Load-Owner
 - Transmitter-Owner
 - Distributor-Owner
 - Centralized Forecasting-Variable Generator

Equipment Registration Specialist Cont'd

- The contact role is assigned through Online IESO at the time of authorization into one of the above participations, or added by the Applicant Representative through 'Update Contacts' in Online IESO.
- Information about the contact role will be provided on the About Online IESO webpage at:
<http://www.ieso.ca/Pages/Participate/Online-IESO.aspx>.
- Instructions to add a contact role can be found at:
http://www.ieso.ca/Documents/training/Online-IESO/Step-by-step_Adding_Contact_Role.pdf.

Market Trial 2 Resources -Demo

News Tasks (67) Records Reports **Actions**

 **ieso** QA

All ▶
Starred ☆
Applications

-  **Manage Enrolment Requests** ☆
Cancel an In-Progress Enrolment Request
-  **Manage Facilities and Equipment** ☆
Register a new facility and its associated equipment. Update an existing facility and its equipment. Remove existing equipment.
-  **Manage Resources** ☆
Register a new resource, update existing resource information and relationships

Market Trial Setup and Expectations

Setup

- Each participant in the market trials will receive their login information and market trial testing package.
- Each participant has been assigned the 'Equipment Registration Specialist' contact role by the IESO and will be able to initiate Manage Facilities and Equipment requests.

Testing and Feedback

- Participants are expected to complete the three test scenarios provided in the testing package. Any defects or enhancements should be recorded and sent to stakeholder.engagement@ieso.ca

Market Trial Setup and Expectations Cont'd

- Market Trials will run from November 2 to November 13
- Support or questions during market trials can be directed to stakeholder.engagement@ieso.ca
- Feedback would be appreciated throughout the market trials but no later than November 16
- Market trials feedback and other information will be posted at:
<http://www.ieso.ca/Pages/Participate/Stakeholder-Engagement/Facility-Registration.aspx>

Market Trial 2 Resources - Test Scenarios

1. Registration of generator resources
2. Registration of a non-dispatchable load resource
3. Change generator resource to dispatchable

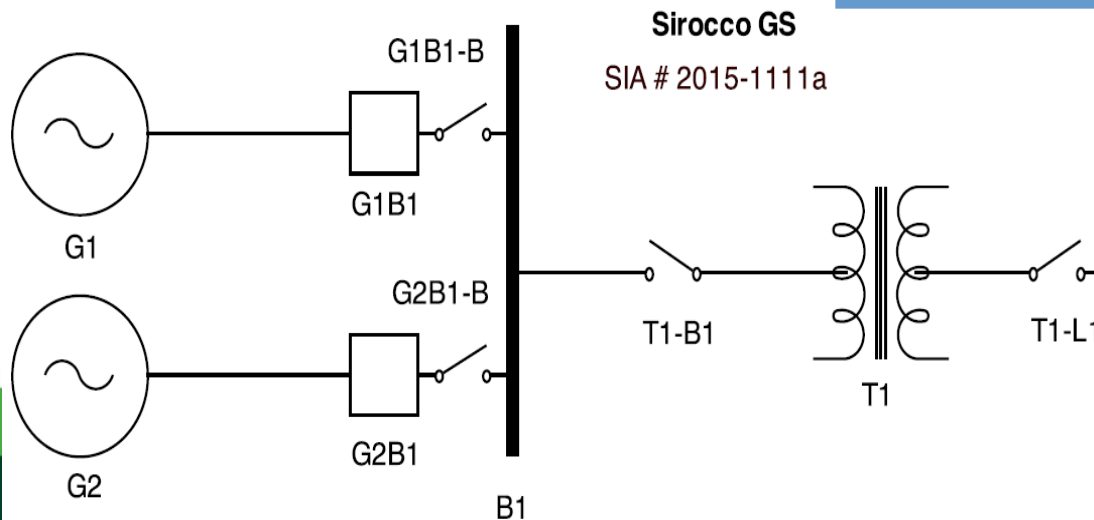


Scenario 1a Sirocco CGS

Register generation resources

- Each resource will be “dispatchable” with a maximum capability of 11.7 MW.
- For this test scenario, you are requested to register the following:

Sirocco GS	Nomenclature
Disconnect Switch	• T1-B1T1-L1
Breakers	• G1B1, G2B1
Generation units	• G1, G2
Resource business roles	• MMP, RMP, MSP



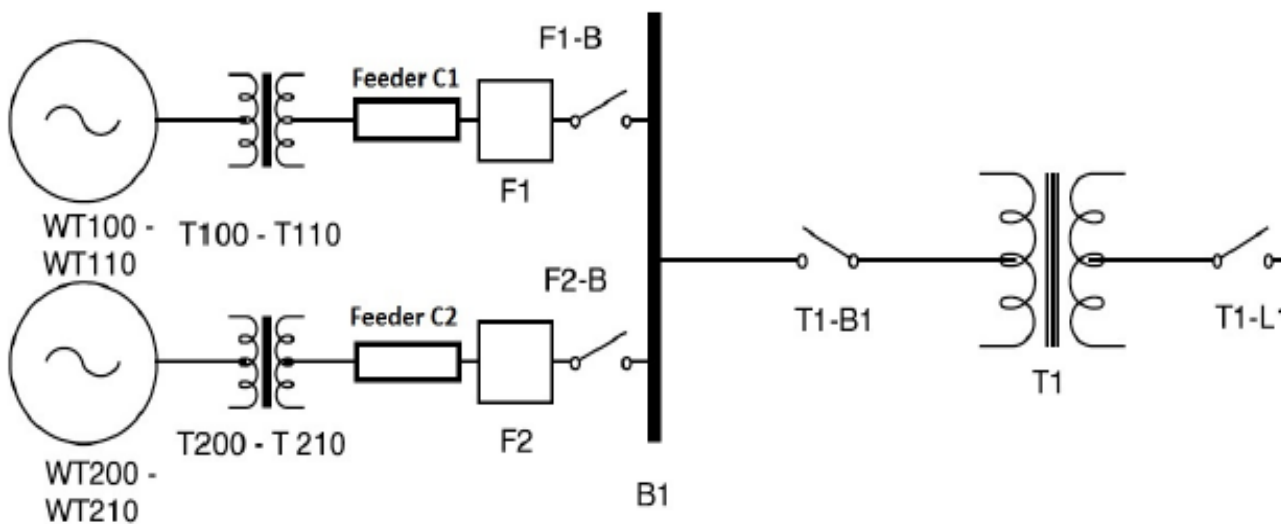
Scenario 1b Golf WGS

Register generation resources

- Each resource will be “Self-scheduling” with a maximum capability of 16 MW.
- For this test scenario, you are requested to register the following:

Golf WGS	Nomenclature
Disconnect Switch	• T1-B1, T1-L1
Breakers	• F1, F2
Collectors	• Feeder C1, Feeder C2
Generation units	• WT100-WT110, WT200-WT210
Resource business roles	• MMP, RMP, MSP

Golf WGS
SIA # 2015-1111b

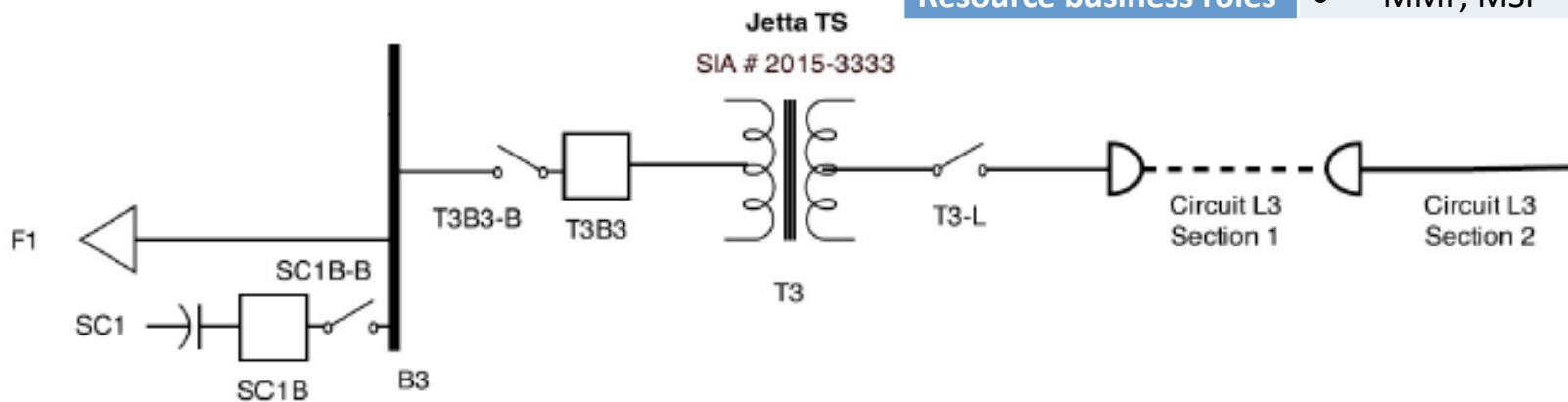


Scenario 2 Jetta TS

Register load resource

- Load resource will be “non-dispatchable” with a total industrial load of 19 MW.
- For this test scenario, you are requested to register the following:

Jetta TS	Nomenclature
Disconnect Switch	• T3B3-B
Breaker	• T3B3
Load	• F1
Resource business roles	• MMP, MSP



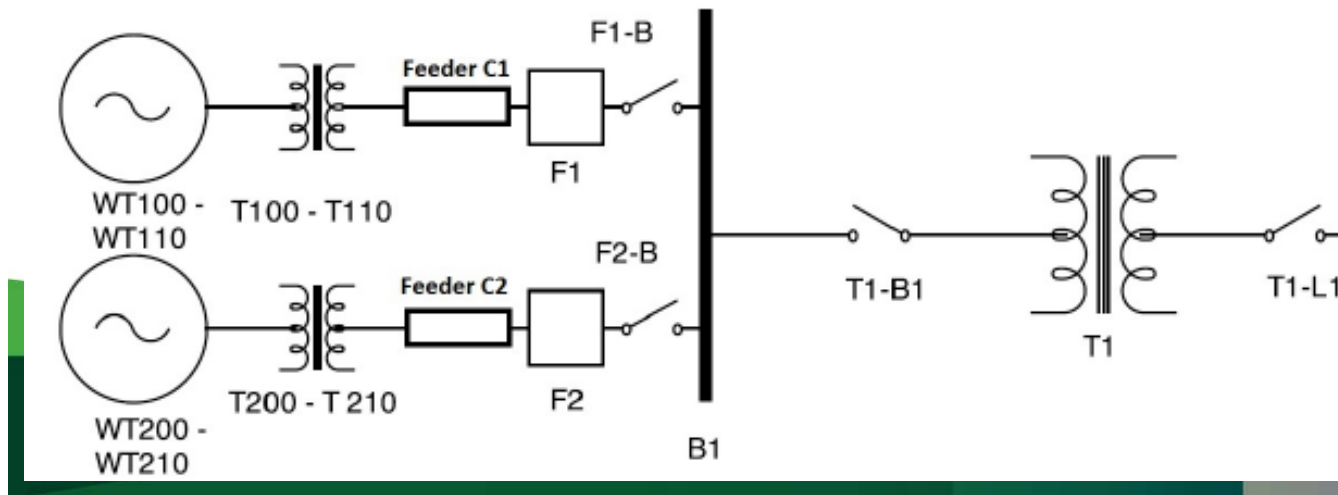
Scenario 3 Passat WGS

Modify generation resources

- Each resource will be “dispatchable” with a maximum capability of 16 MW.
- For this test scenario, you are requested to register the following:

Passat WGS	Value
Bid/Offer Type	• Dispatchable
Operating Reserve Class	• No Operating Reserve
Resource business roles	• Pre-existing

Passat WGS
SIA # 2015-4444



What You Need to Know for Go-live

- Facility Registration in Online IESO is scheduled to go live on December 1, 2015.
- Facility registration information previously provided to the IESO will be prepopulated in the new registry system and will have to be verified before commencing a new Registration Request.
- Only an 'Equipment Registration Specialist' will be able to initiate and complete facility registration requests in Online IESO.

What You Need to Know for Go-live Cont'd

- The completion of in-flight facility registrations will be handled on a case by case basis based on the status of the registration at the time Facility Registration in Online IESO goes live. Organizations will be contacted by Market Registration staff with instructions for completing any outstanding tasks.
- Before commencing a new Facility Registration Request an organization should contact Market Registration and have assigned at least one Equipment Registration Specialist for your organization in Online IESO.

What You Need to Know for Go-live Cont'd

- Questions about the completion of in-flight registrations should be directed to Market Registration at: market.registration@ieso.ca