



Station Service Estimate Submissions

Proposal to Reduce Annual Scope of Work

June 2, 2016

Presentation Topics

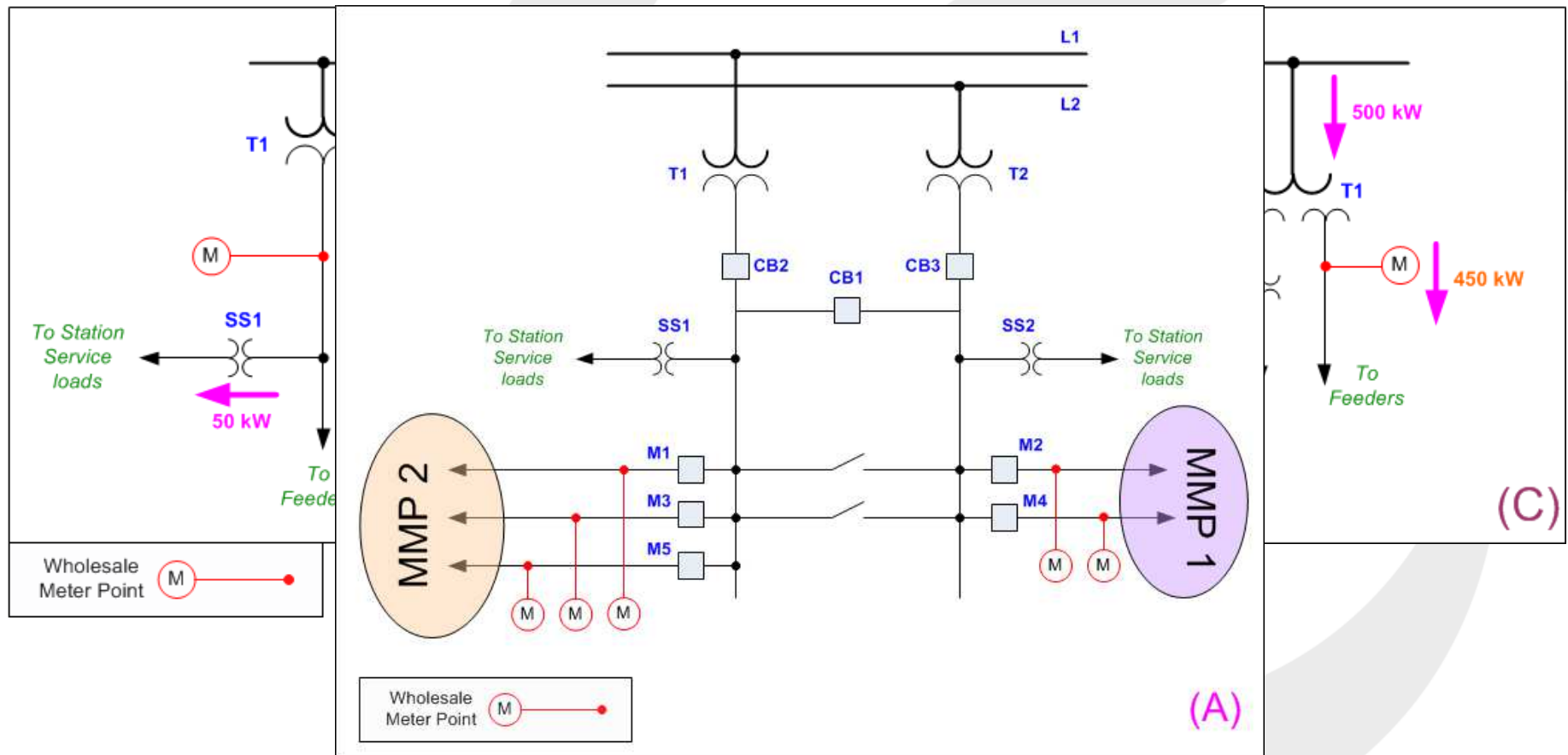


- Need for Station Service Estimates (SSE)
- Current IESO's Market Rule Requirements
- “Why?” – Rationale for Proposal
- How to achieve this goal?
- Proposed Strategy for Annual SSE Submissions
- Next Steps



Need for SSEs

- Estimating total load consumption from the grid
- Allocating SS load consumption costs among MMPs



Current MR Requirements



- Exposed SS Transformers (Not metered by WRM)
 - Non-Metered
 - *Annual checks must be performed to confirm if estimate is still valid*
 - Retail Metered
 - *Annual readings of the retail meter must be recorded to confirm if the estimate is still valid;*
 - *If the results are different, an updated estimate must be submitted and registered*

[Ref: IESO, MM3 Part 3.7: TT Registration, Issue 18.0]

Impact on HONI



- Exposed Sites – **78**
- Unexposed Stations – **182***

** Pending Verification*



How to Reduce Impact?

- Annual Site Surveys
 - What if no projects were executed at a station?
- Trigger for SSE Resubmission
 - Retail Metered & Non-Metered
 - *If the results are different, an updated estimate must be submitted and registered*

Proposal – Seeking Concurrence



- Exposed Stations:

1. Develop Base Case

- Established by retail meter or site-survey (HONIs ECD 2017)

2. Recurring SSE Submissions

- Only if significant change has occurred, i.e.,

$$| SSE_{Current\ Year} - SSE_{Past\ Year} | > Pre - determined\ Threshold$$

- Unexposed Stations:

1. Only Revise TTs - if change in % allocation

2. No need to review/revise SSEs annually

- At least one estimate has to be in the TTs



Next Steps

- Reviews for 2017
 - Baseline for all exposed sites
- Comparative Analysis
 - Metered data vs. Site Survey



Questions?

Thank you